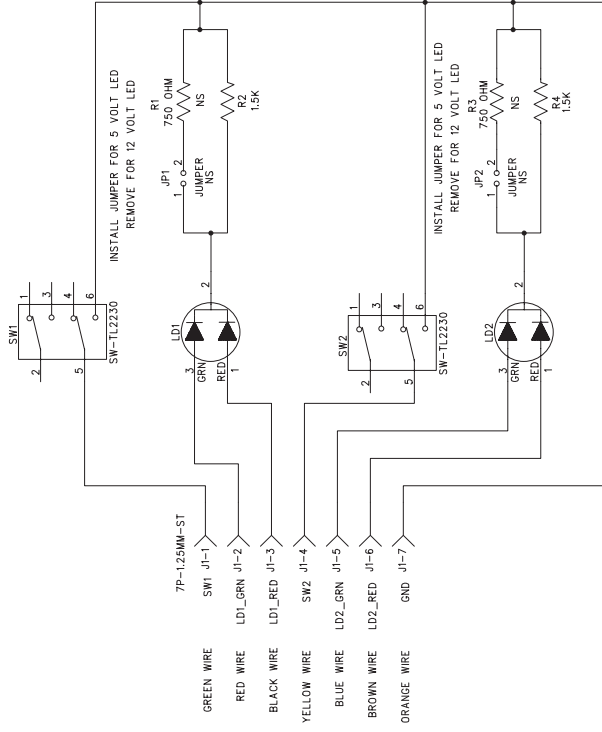
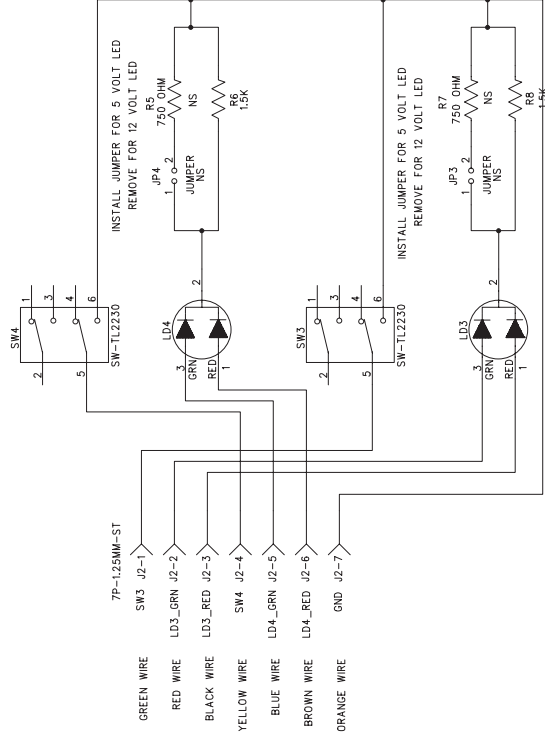


LEFT (VIEWED FROM TOP)  
PLUG TO UPPER ROW ON COLAB\_SCB



RIGHT (VIEWED FROM TOP)  
PLUG TO LOWER ROW ON COLAB\_SCB



HV-T6 Table Box Cable Harness Detail

Left Side Harness (Viewed From Top)		Right Side Harness (Viewed From Top)	
Pin # / Wire Color	Function	Pin # / Wire Color	Function
1 - Green	Switch 1 (N.O.)	1 - Green	Switch 3 (N.O.)
2 - Red	LED 1 - Green +	2 - Red	LED 3 - Green +
3 - Black	LED 1 - Red +	3 - Black	LED 3 - Red +
4 - Yellow	Switch 2 (N.O.)	4 - Yellow	Switch 4 (N.O.)
5 - Blue	LED 2 - Green +	5 - Blue	LED 4 - Green +
6 - Brown	LED 2 - Red +	6 - Brown	LED 4 - Red +
7 - Orange	Ground	7 - Orange	Ground