

**NOTICE:** FOR INSTALLATION BY A QUALIFIED ELECTRICIAN IN ACCORDANCE WITH ALL NATIONAL AND LOCAL ELECTRICAL CODES AND COMMUNICATIONS STANDARDS. ADHERE TO THE FOLLOWING INSTRUCTIONS AND ANY INSTRUCTIONS INCLUDED WITH THE INDIVIDUAL RACEWAY COMPONENTS.

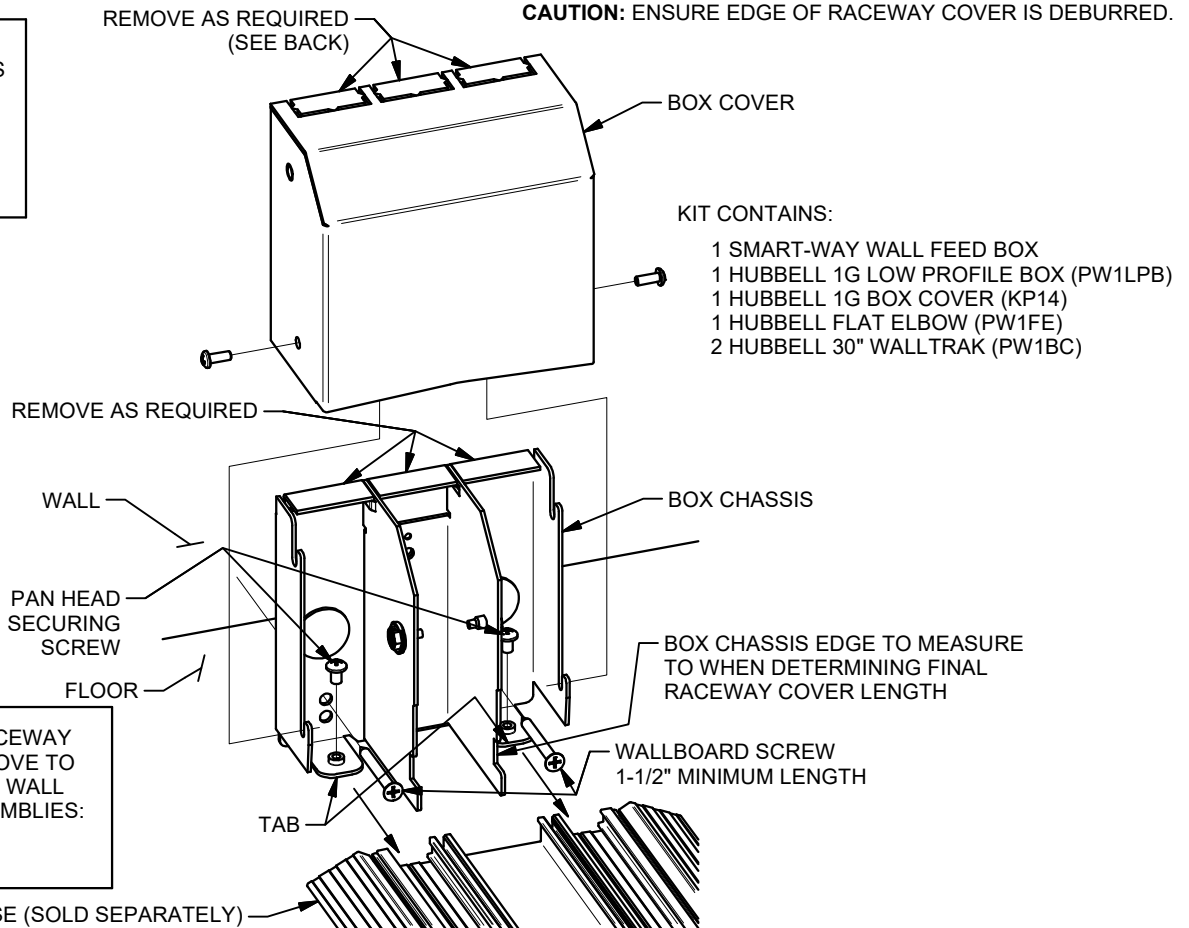
1. LAYOUT YOUR SMART-WAY SYSTEM AND DETERMINE THE LOCATION OF OUR BASE TRACK IN RELATION TO A NEARBY WALL WITH A PRE-EXISTING RECEPTACLE.
2. DETERMINE WHICH KO WILL BE NECESSARY TO REMOVE FOR YOUR APPLICATION AND KNOCK THEM OUT.
3. ATTACH THE WALL IN-FEED BOX CHASSIS TO THE RACEWAY BASE BY SLIDING IT ON AND INSTALLING THE 2 PAN HEAD SCREWS IN THE TABS
4. SLIDE THE BASE AND WALL BOX UNIT UP TO THE DESIRED LOCATION ON THE WALL AND MARK THE OUTER EDGES OF THE PLASTIC TRIM ON THE RACEWAY ON THE WALL BASE MOLDING.
5. REMOVE THE BOTTOM RADIUS OF ANY BASE MOLDING THAT MAY BE INSTALLED.
6. SECURE THE RACEWAY BASE TO THE FLOOR AND THE WALL FEED CHASSIS TO THE WALL USING WALLBOARD SCREWS.
7. REMOVE THE EXISTING WALL OUTLET AND INSTALL THE LOW PROFILE SINGLE GANG SURFACE MOUNT ELECTRICAL BOX TO THE PRE-EXISTING GANG BOX (INSTRUCTIONS PROVIDED WITH THE ELECTRICAL BOX).
8. INSTALL THE PROVIDED WALL TRACK RUNNING FROM THE SURFACE MOUNTED ELECTRICAL BOX TO THE WALL IN-FEED BOX (INSTRUCTIONS PROVIDED WITH THE WALL TRACK).
9. RUN HI-VOLTAGE WIRING INTO EITHER SIDE CHANNEL ON THE RACEWAY BASE DESIRED - THE CENTER CHANNEL IS TYPICALLY RESERVED FOR LOW-VOLTAGE WIRING.
10. IF ANY LOW-VOLTAGE / DATA / AUDIO / VIDEO WIRING IS TO BE INSTALLED, PULL AND RUN SUCH WIRING THRU THE CENTER OPENING OF THE BOX CHASSIS INTO THE CENTER CHANNEL OF THE RACEWAY BASE.
11. CLOSE AND COVER ALL WALL MOUNTED RACEWAY COMPONENTS.
12. INSTALL FLOOR MOUNTED RACEWAY COVER.
13. FINISH BY INSTALLING THE WALL IN-FEED BOX COVER USING TWO SCREWS LOCATED ON EITHER SIDE.

**CAUTION:** ENSURE EDGE OF RACEWAY COVER IS DEBURRED.

WIRING VOLUMES,  
L & R SIDE CAVITIES  
OF BOX CHASSIS:

L = 13 cu. in.

R = 13 cu. in.



KIT CONTAINS:

- 1 SMART-WAY WALL FEED BOX
- 1 HUBBELL 1G LOW PROFILE BOX (PW1LPB)
- 1 HUBBELL 1G BOX COVER (KP14)
- 1 HUBBELL FLAT ELBOW (PW1FE)
- 2 HUBBELL 30" WALLTRAK (PW1BC)

**NOTE:** AMOUNT OF RACEWAY  
COVER TO REMOVE TO  
ACCOMMODATE WALL  
FEED BOX ASSEMBLIES:

2-1/4" ± 1/16"

RACEWAY BASE (SOLD SEPARATELY)

