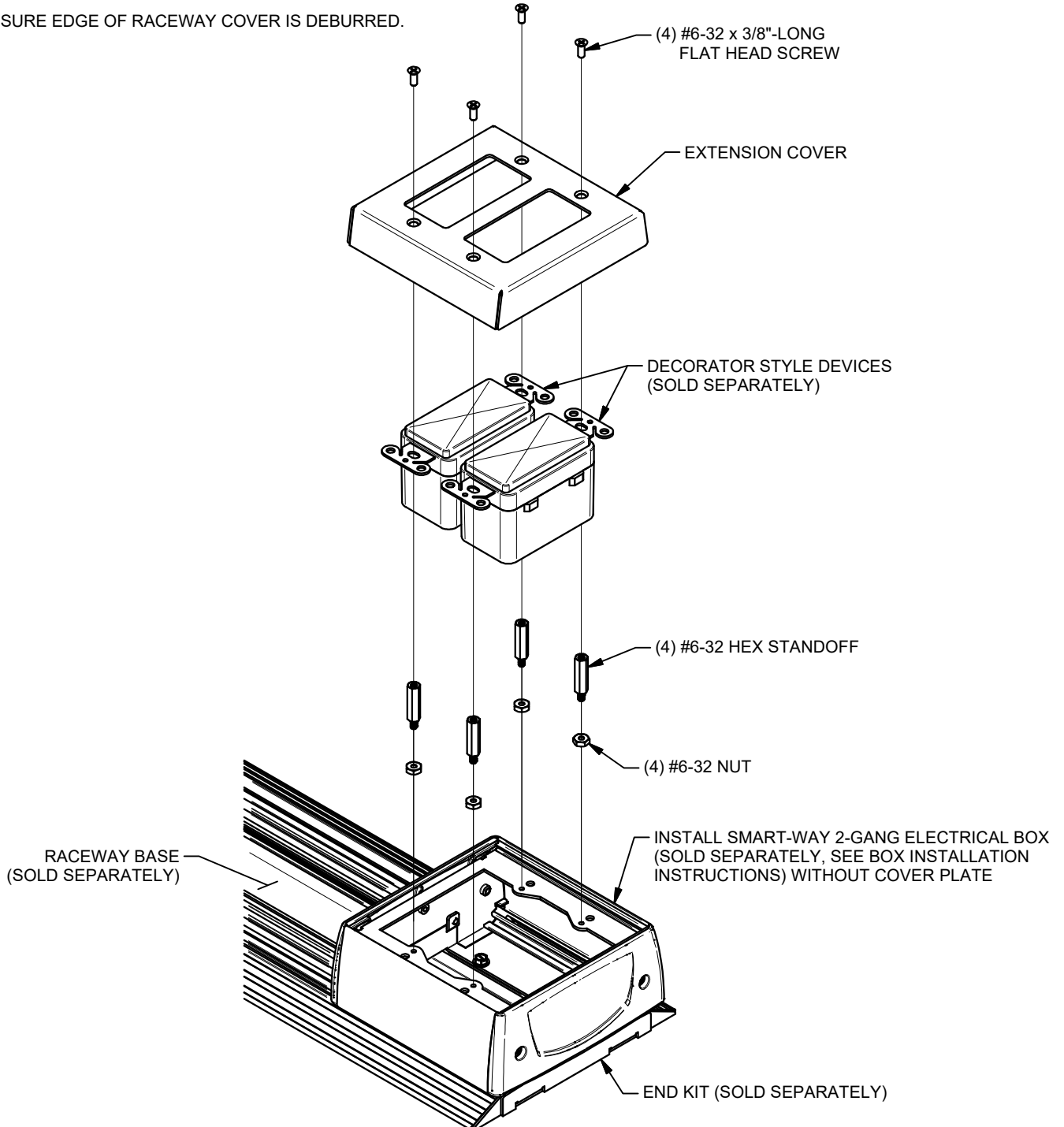


NOTICE: FOR INSTALLATION BY A QUALIFIED ELECTRICIAN IN ACCORDANCE WITH ALL NATIONAL AND LOCAL ELECTRICAL CODES AND COMMUNICATIONS STANDARDS. ADHERE TO THE FOLLOWING INSTRUCTIONS AND ANY INSTRUCTIONS INCLUDED WITH THE INDIVIDUAL RACEWAY COMPONENTS.

1. INSTALL SMART-WAY 2-GANG ELECTRICAL BOX (SOLD SEPARATELY, SEE BOX INSTALLATION INSTRUCTIONS) WITHOUT COVER PLATE (**EXTENSION COVER WILL NOT WORK WITH SW-DB-1P1D BOX!**). END KIT (SOLD SEPARATELY) & RACEWAY BASE EDGE (SOLD SEPARATELY) MUST BE INSTALLED FIRST IF MOUNTING BOX ON RACEWAY BASE END.
2. INSTALL #6-32 NUT COMPLETELY ONTO #6-32 HEX STANDOFF AND INSTALL STANDOFF TO ELECTRICAL BOX.
3. MAKE WIRING CONNECTIONS AS REQUIRED AND INSTALL DECORA UNITS (SOLD SEPARATELY) AND EXTENSION COVER TO ELECTRICAL BOX.

Classification; CTS/DTS 3.102 Flushfloor, 3.103 Onfloor, 6.101.1 Dry-Treatment Only, 6.2.6 10J Impact, 6.102.3 1,000 N Small Surface Load, 6.4.1 Non-Flame Propagating
IP41; Min Storage Temp - 25°C; Installation and Application Temp - 15°C to 60°C

CAUTION: ENSURE EDGE OF RACEWAY COVER IS DEBURRED.



1. INSTALL SMART-WAY 3-GANG ELECTRICAL BOX (SOLD SEPARATELY, SEE BOX INSTALLATION INSTRUCTIONS) WITHOUT COVER PLATE. END KIT (SOLD SEPARATELY) & RACEWAY BASE EDGE (SOLD SEPARATELY) MUST BE INSTALLED FIRST IF MOUNTING BOX ON RACEWAY BASE END.
2. INSTALL #6-32 NUT COMPLETELY ONTO #6-32 HEX STANDOFF AND INSTALL STANDOFF TO ELECTRICAL BOX.
3. MAKE WIRING CONNECTIONS AS REQUIRED AND INSTALL DECORA UNITS (SOLD SEPARATELY). INSTALL SUPPLIED DIVIDER EXTENDER TO MAINTAIN SEPARATION OF CIRCUITS WHERE REQUIRED PRIOR TO MOUNTING EXTENSION COVER.

Classification; CTS/DTS 3.102 Flushfloor, 3.103 Onfloor, 6.101.1 Dry-Treatment Only, 6.2.6 10J Impact, 6.102.3 1,000 N Small Surface Load, 6.4.1 Non-Flame Propagating
IP41; Min Storage Temp - 25°C; Installation and Application Temp - 15°C to 60°C

