

4

3

2

1

C

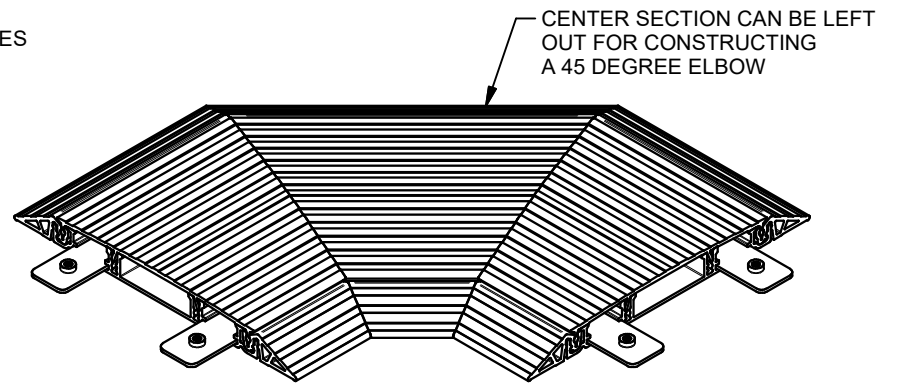
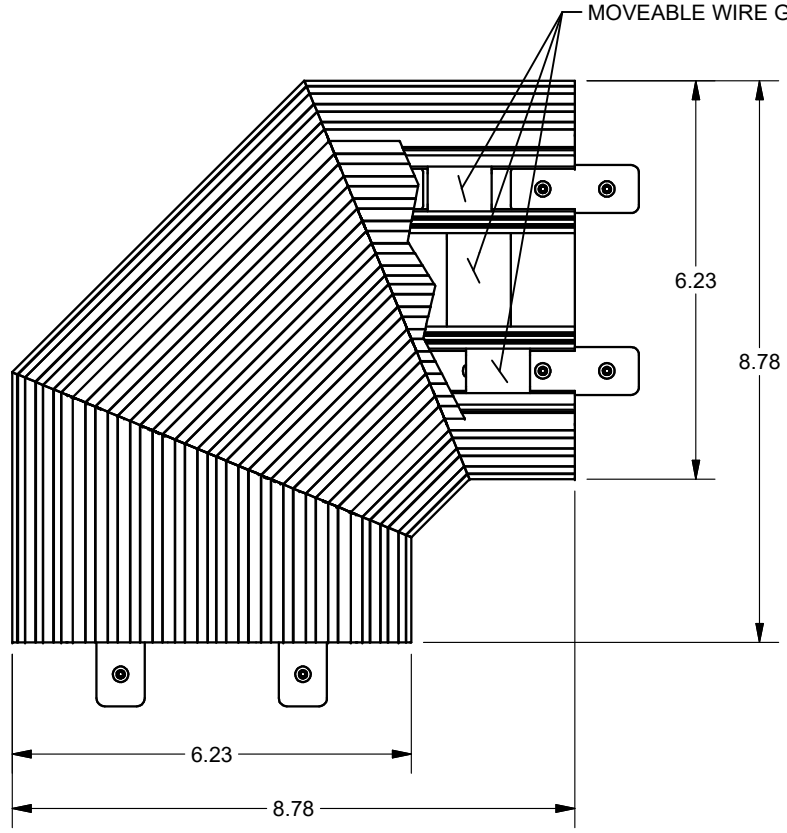
B

A

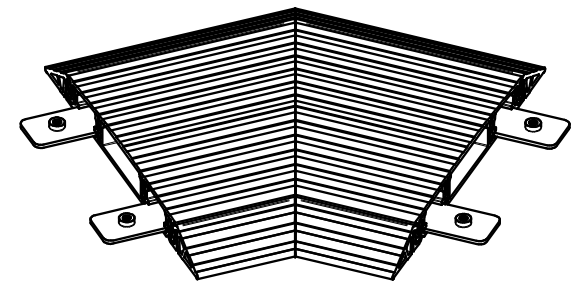
C

B

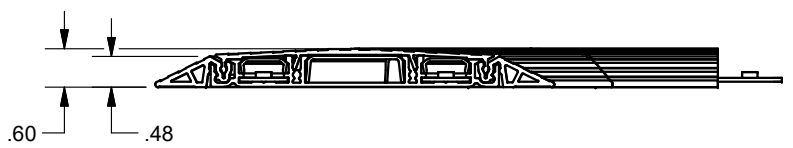
A



90 DEGREE ELBOW



45 DEGREE ELBOW



ADA COMPLIANT

FSR inc. <small>244 BERGEN BLVD. WOODLAND PARK, NJ 07424 TEL (973) 785-4347 FAX (973) 785-3318</small>	TITLE: SW-L90		
	DRAWN BY: JRE	DATE: 07/22/19	REV: -
	DWG#:	SW-L90	SCALE: -

4

3

2

1