

4

3

2

1

C

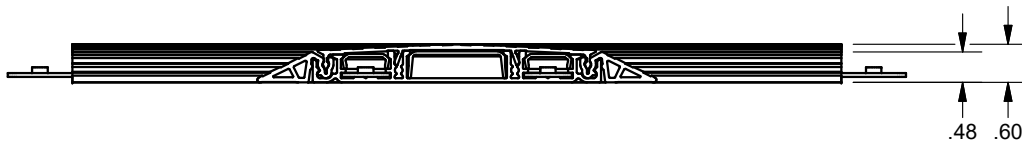
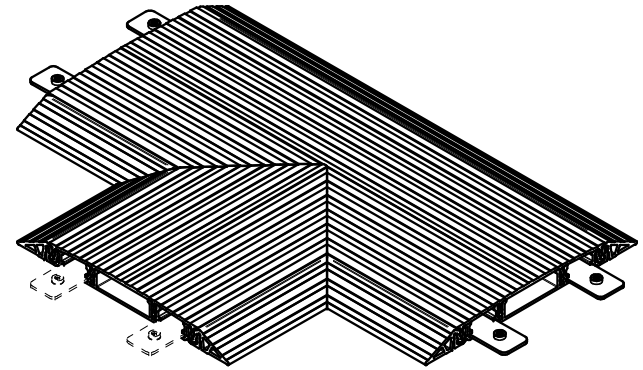
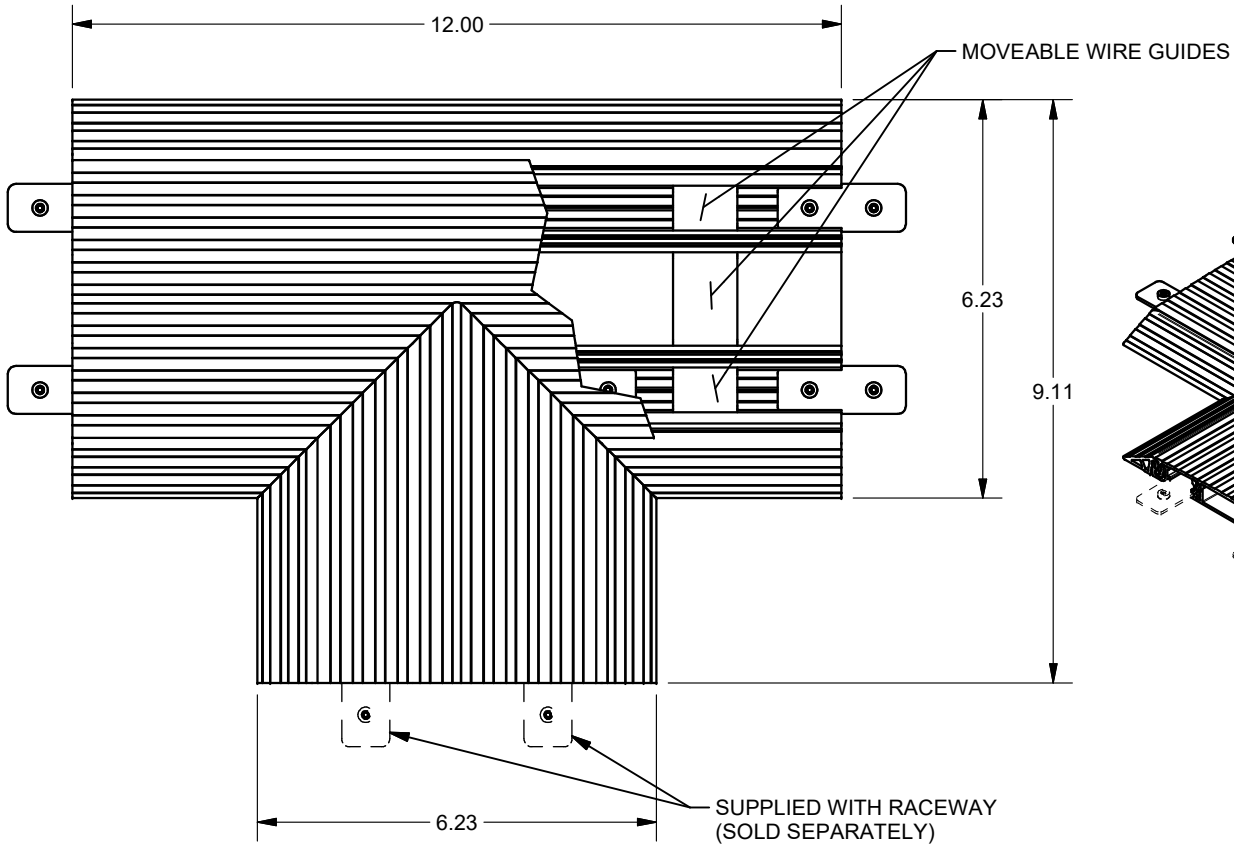
C

B

B

A

A



ADA COMPLIANT

**FSR inc.**

244 BERGEN BLVD.  
WOODLAND PARK, NJ 07424  
TEL (973) 785-4347  
FAX (973) 785-3318

TITLE:			SW-TEE		
DRAWN BY: JRE	DATE: 11/18/19	REV: -			
DWG#:	SW-TEE	SCALE: -			

4

3

2

1