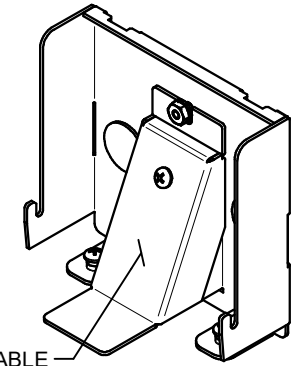
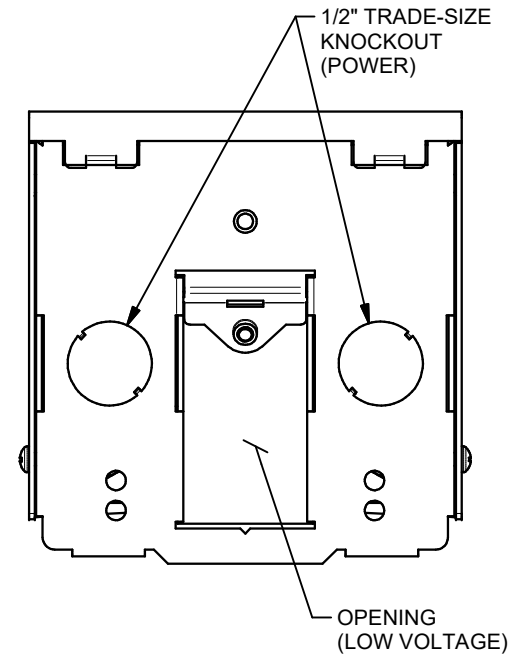
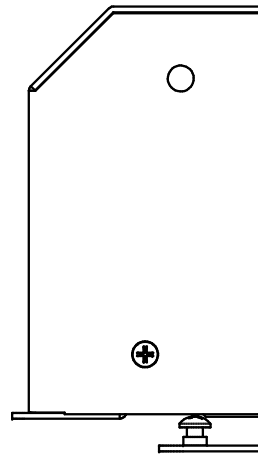
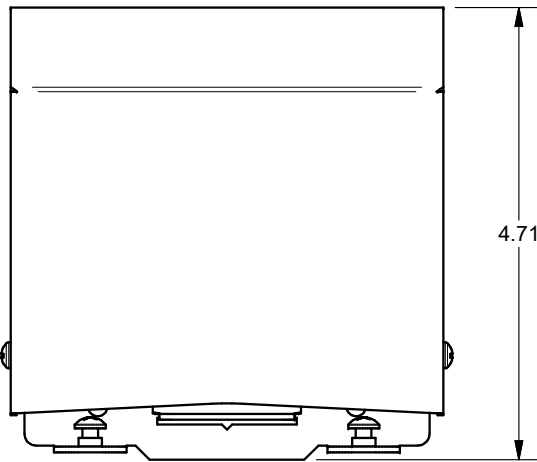


WITH COVER



REMOVABLE  
LOW VOLTAGE  
COVER

WITHOUT COVER



POWER COMPARTMENT VOLUME: 38 cu. in.

**FSR inc.**  
244 BERGEN BLVD.  
WOODLAND PARK, NJ 07424  
TEL (973) 785-4347  
FAX (973) 785-3318

TITLE: SW-WF-HP		
DRAWN BY: JRE	DATE: 07/22/19	REV: -
DWG#:	SW-WF-HP	SCALE: -