

SYMPHONY Pedestal

Power & Charging Tower

FSR

Metal Products Group

SYM Pedestal



Front



Right Side



Left Side



Convenient Cord
Securing Base

DESCRIPTION

The Symphony Pedestal makes waiting areas and workspaces an inviting place to plug in. The Pedestal is agile enough to accommodate charging multiple devices while also providing multiple AC outlets. The Symphony Pedestal is floor standing and available in two heights, 24" and 30", and is an attractive addition to your space.

A 9' AC cord provides power from a standard 125VAC 15A outlet, and the unit is lightweight and easy to relocate. Available in black or white colors with an attractive aluminum housing. If a custom color is needed, you can select one of our POP of COLOR choices and match your table boxes to your pedestal.

Place your pedestal under a desk, counter, near a couch or chair grouping and you have charging and power within reach.

Add charging compatible with USB Type-C devices to the Pedestal with FSR's Symphony combination USB charging port. This charger incorporates power management integrated circuitry to communicate via today's and legacy protocols to determine the charging requirements for your devices. The built in overload protected, auto-recovery power supply, provides the fastest charging based on the available power to one or both ports.



FEATURES

- Designed with 4 AC outlets
- Supplied with a Dual USB charger that supports full 5V 10W charging capability on each charging port
- Now available dual combination charging ports (USB Type-C and USB Type-A)-Up to 2 max
- Black or White color options available
- Available in two heights, 24" and 30"
- Provides discreet charging and utility outlets
- 9' AC Power Cord
- Custom configurations with keystone connectors, VGA, XLR are available.

APPLICATIONS

- Lobby areas in Hotels, Schools, Convention Centers
- Classrooms
- Airports
- Waiting areas in spas, offices and any temporary or permanent seating arrangements
- Under your desk or counter at home or at work

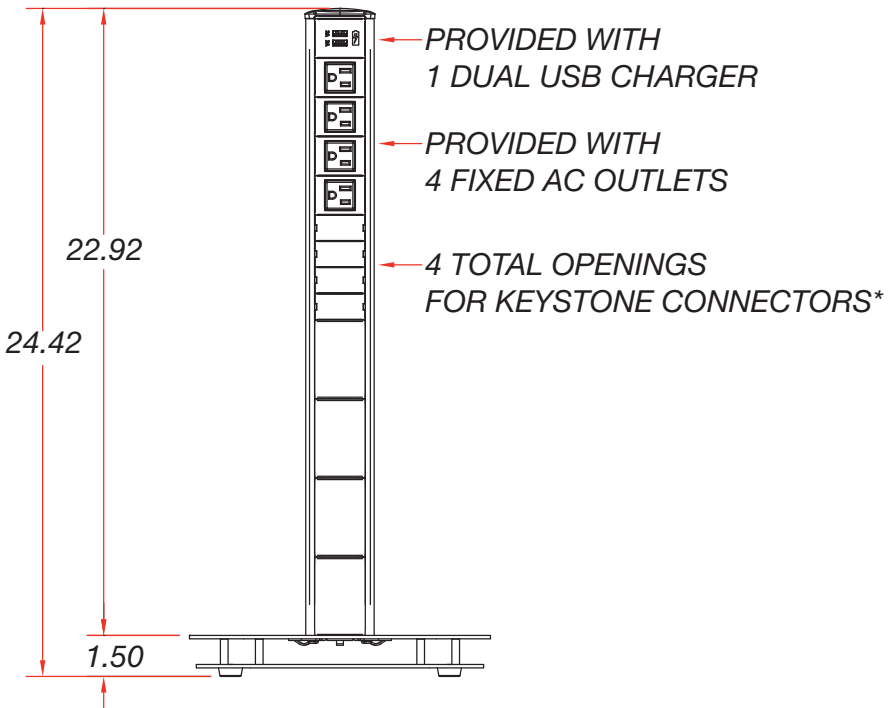
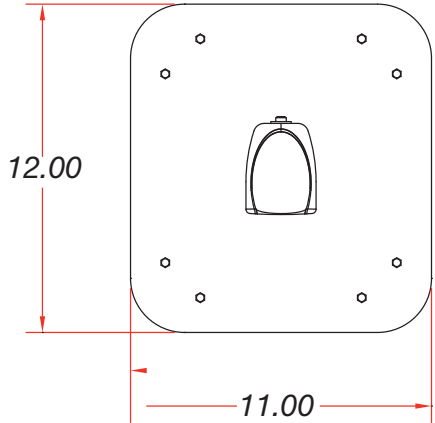
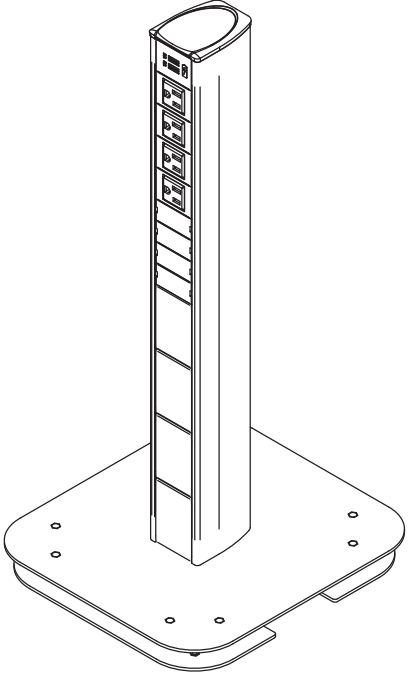
FSR Inc.

244 Bergen Boulevard, Woodland Park, NJ 07424
Phone: 973.998.2300 · Fax: 973.785.4207
Web: www.fsrinc.com · E-mail: sales@fsrinc.com
Order Desk: 1-800-332-FSR1

LIT1807B

24" PEDESTAL SPECIFICATIONS

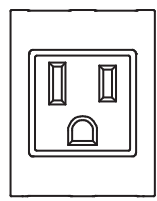
SYM-PD24



* KEYSTONE CONNECTORS SOLD SEPARATELY.

UNIT PROVIDED WITH KEYSTONE (2) SINGLE, (2) DUAL AND (4) BLANK INSERTS.

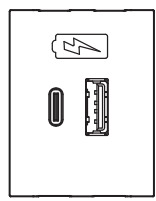
Standard Pedestal Inserts



"AC" Inserts
 Provided with 4 Fixed AC Outlets



"CA" Inserts
 Provided with (1) Dual USB Charger

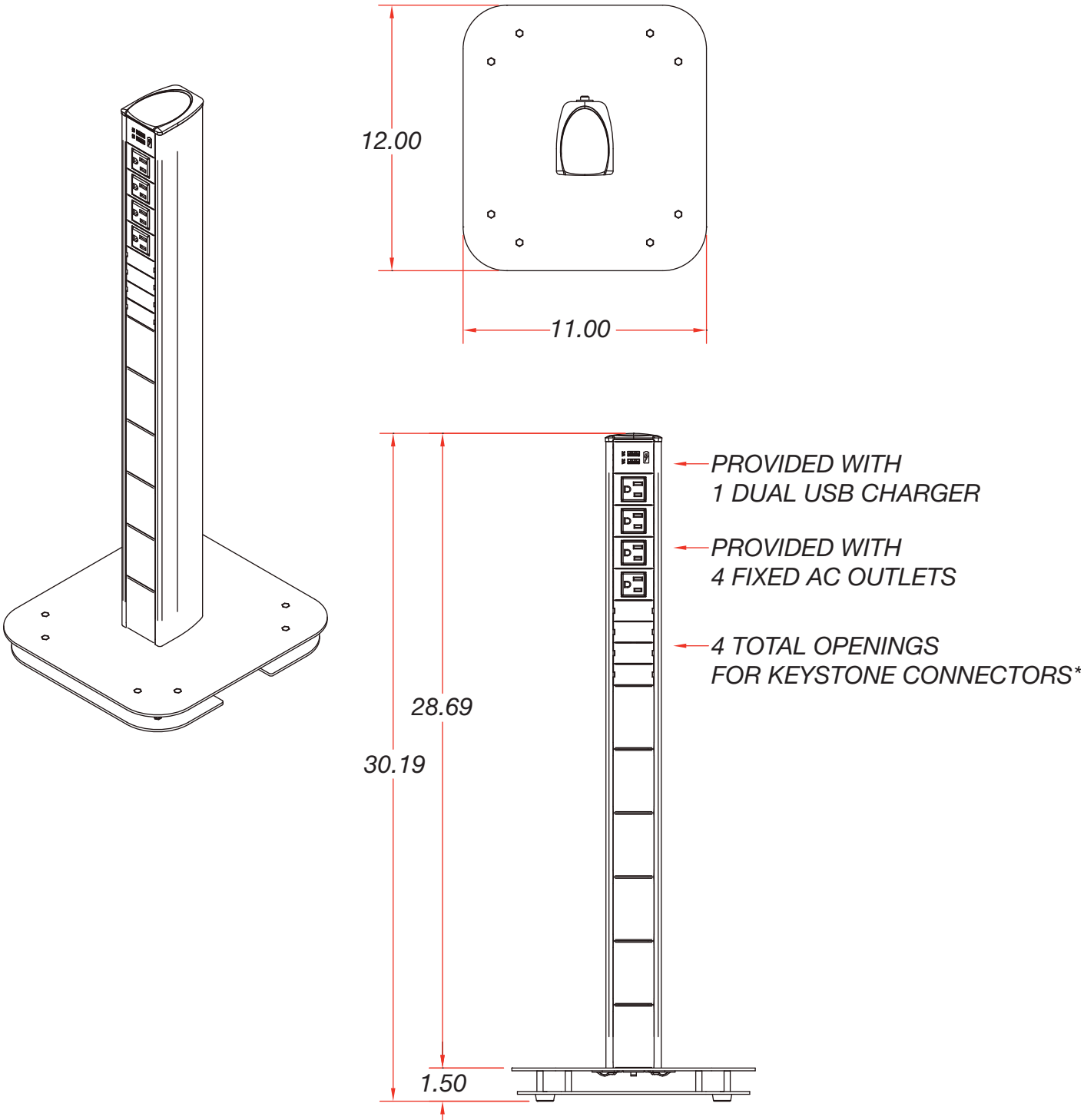


"CC" Insert
 Add 1.5" for each Dual Combination USB Charger
 Minimum: 0 Maximum: 2

Custom models available upon request

30" PEDESTAL SPECIFICATIONS

SYM-PD30



* KEYSTONE CONNECTORS SOLD SEPARATELY.

UNIT PROVIDED WITH KEYSTONE (2) SINGLE, (2) DUAL AND (4) BLANK INSERTS.

STOCK UNITS ORDERING INFORMATION

Item	Model Number	Description
18368	SYM-PD24AB-1CA	Symphony Pedestal, 24" high, 4 AC, Dual USB Chargers, Aluminum Black Color
18369	SYM-PD24AW-1CA	Symphony Pedestal, 24" high, 4 AC, Dual USB Chargers, Aluminum White Color
18370	SYM-PD30AB-1CA	Symphony Pedestal, 30" high, 4 AC, Dual USB Chargers, Aluminum Black Color
18371	SYM-PD30AW-1CA	Symphony Pedestal, 30" high, 4 AC, Dual USB Chargers, Aluminum White Color
18557	SYM-PD24AB-1CC	Symphony Pedestal 24" high, 4 AC, Dual combination charger (USB Type-C and USB Type-A), 2 Snap-In inserts - Aluminum and Black Color
18558	SYM-PD24AW-1CC	Symphony Pedestal 24" high, 4 AC, Dual combination charger (USB Type-C and USB Type-A), 2 Snap-In inserts - Aluminum and White Color
18559	SYM-PD30AB-1CC	30" Symphony Pedestal high, 4 AC, Dual combination charger (USB Type-C and USB Type-A), 2 Snap-In inserts - Aluminum and Black Color
18560	SYM-PD30AW-1CC	30" Symphony Pedestal high, 4 AC, Dual combination charger (USB Type-C and USB Type-A), 2 Snap-In inserts - Aluminum and White Color

Keystone Snap-In* connectors for Symphony Pedestal

Item	Description
18130	SS-CAT5e-W SYM PUNCH DOWN CAT-5e JACK 1000BASE-T – WHITE
18131	SS-CAT5e-B SYM PUNCH DOWN CAT-5e JACK 1000BASE-T – BLACK
18132	SS-CAT6-W SYM PUNCH DOWN CAT-6 JACK 10GbE – WHITE
18133	SS-CAT6-B SYM PUNCH DOWN CAT-6 JACK 10GbE – BLACK
18129	SS-HDMI-W SYM AND TBL BOX WHITE PASS-THRU – WHITE
17288	SS-HDMI-B SYM AND TBL BOX BLACK PASS-THRU – BLACK
17624	SS-SCAT6A CAT6A SHIELDED SNAP IN CONNECTOR – CHROME
17205	SS-USBA-B USB PASS THRU SNAP IN CONNECTOR – BLACK
25991	SS-RJ45-B PASS THRU SNAP-IN BLACK CONNECTOR CAT 5E
16820	SS-RJCAT6-B PASS THRU SNAP-IN BLACK RJ-45 CAT 6 CONNECTOR
18347	SS-USB-C-CHRG Universal Charging Port, Snap-In module style, compatible with USB-C® devices, with Power Supply
18348	SS-USB-C-CHRG-NPS Universal Charging Port, Snap-In module style, compatible without USB-C® devices, No Power Supply
26968	6' FEMALE HD-15 CHASSIS MOUNT TO MALE CABLE
36131	1/8" OR 3.5mm HEADPHONE JACK TO 3-PIN SCREW TERMINAL PC ASSEMBLY
31004	HUBBELL .5U BLANK BLACK INSERT
31005	HUBBELL 1U BLANK BLACK INSERT
31006	HUBBELL 1U 1 KEYSTONE BLACK INSERT
31007	HUBBELL 1U 2 KEYSTONE BLACK INSERT
31013	HUBBELL 1.5U VGA & 1.5mm JACK BLACK INSERT
31014	HUBBELL 1.5U XLR OPENING BLACK INSERT
31008	HUBBELL .5U BLANK WHITE INSERT
31009	HUBBELL 1U BLANK WHITE INSERT
31010	HUBBELL 1U 1 KEYSTONE WHITE INSERT
31011	HUBBELL 1U 2 KEYSTONE WHITE INSERT
31012	HUBBELL 1.5U XLR OPENING WHITE INSERT
31015	HUBBELL 1.5U VGA & 1.5mm JACK WHITE INSERT

*Sold separately

Specifications are subject to change without notice.



FSR

244 Bergen Boulevard, Woodland Park, NJ 07424

Phone: 973.998.2300 · Fax: 973.785.4207

Web: www.fsrinc.com · E-mail: sales@fsrinc.com