

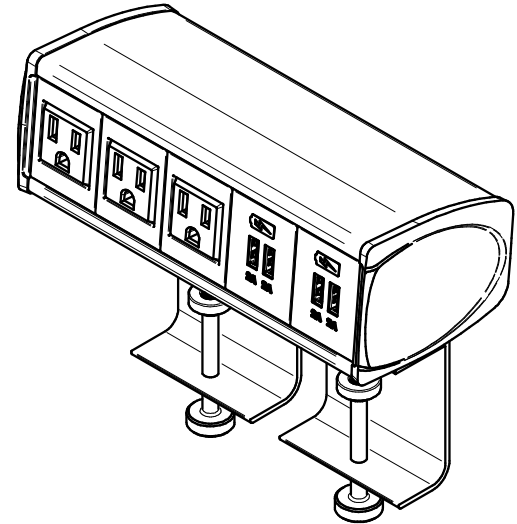
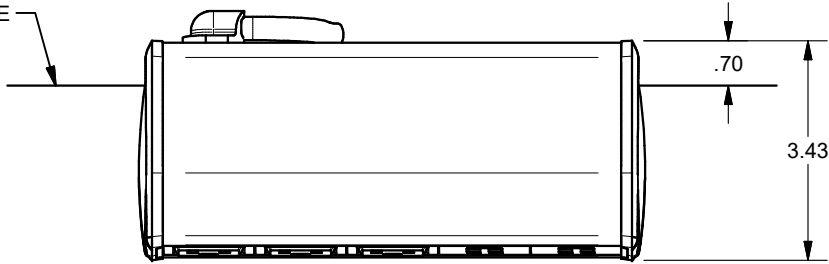
4

3

2

1

TABLE EDGE

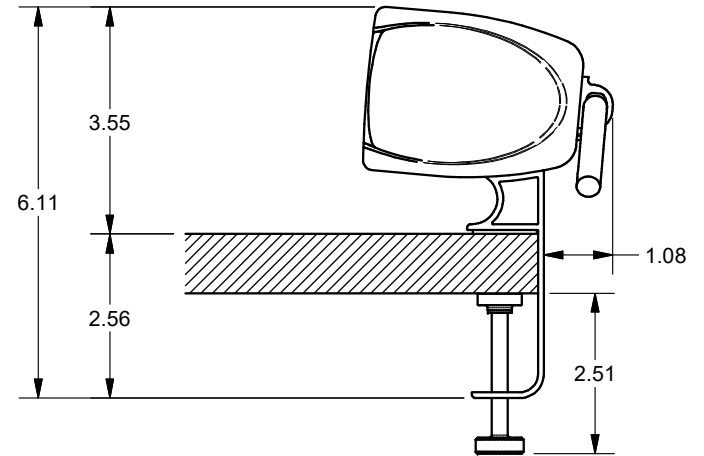
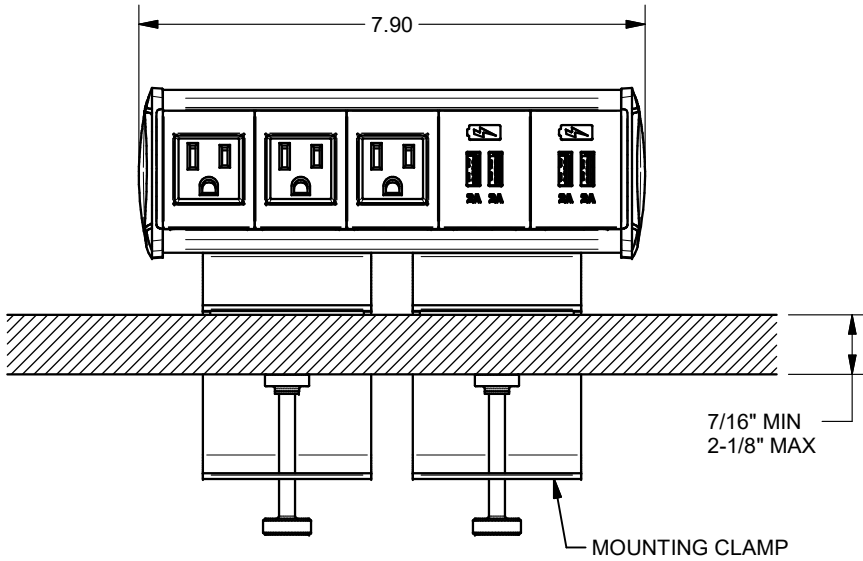


C

C

B

B



A

A

4

3

2

1

FSR inc. 244 BERGEN BLVD. WOODLAND PARK, NJ 07424 TEL (973) 785-4347 FAX (973) 785-3318	TITLE: SYM-CL-3AC-2CA		
	DRAWN BY: JRE	DATE: 11/21/18	REV: -
	DWG#:	SYM-CL-3AC-2CA	SCALE: -