

4

3

2

1

C

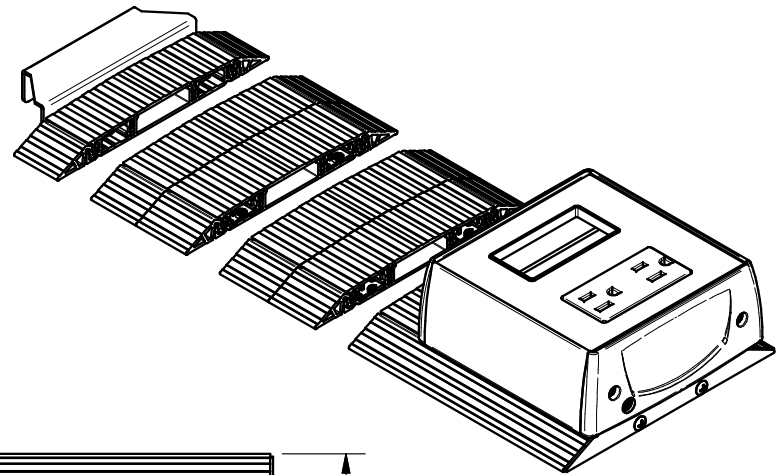
C

B

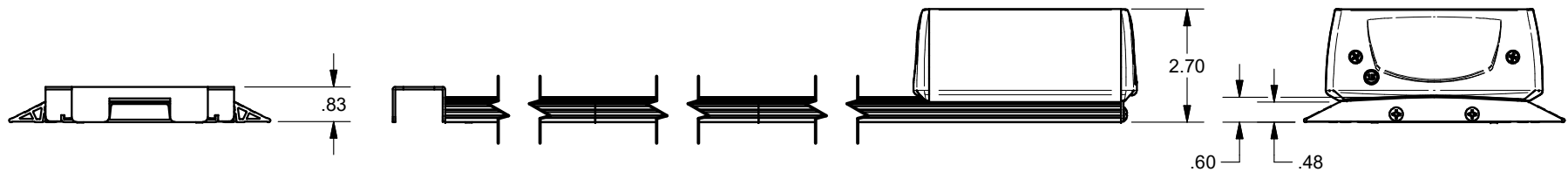
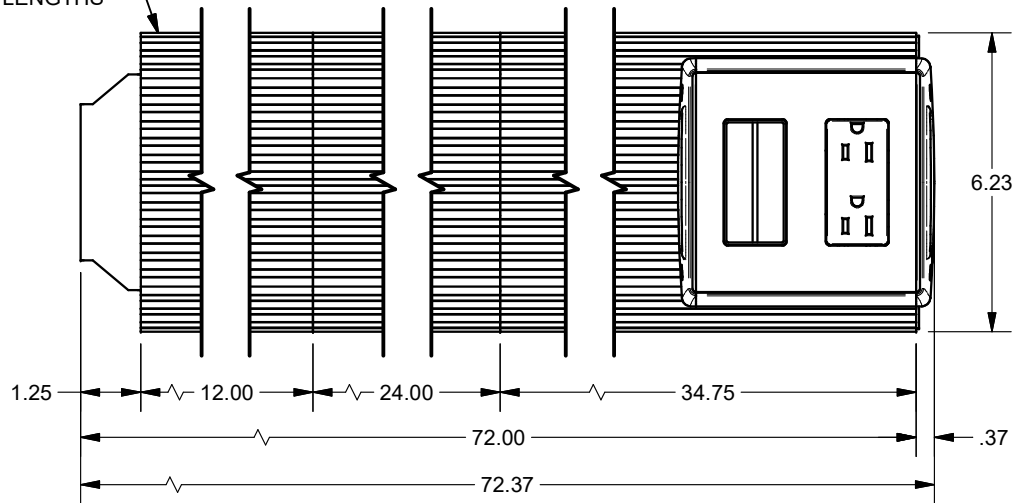
B

A

A



1, 2, OR 3 PIECES OF RACEWAY
CAN BE USED TO CONFIGURE
DIFFERENT LENGTHS



ADA COMPLIANT

FOR INDOOR USE ONLY.

FSR inc. <small>244 BERGEN BLVD. WOODLAND PARK, NJ 07424 TEL (973) 785-4347 FAX (973) 785-3318</small>	TITLE: SW-321STK-1P1D	
	DRAWN BY: JRE	DATE:
	DWG#: SW-321STK-1P1D	SCALE: -
	REV: -	

4

3

2

1