

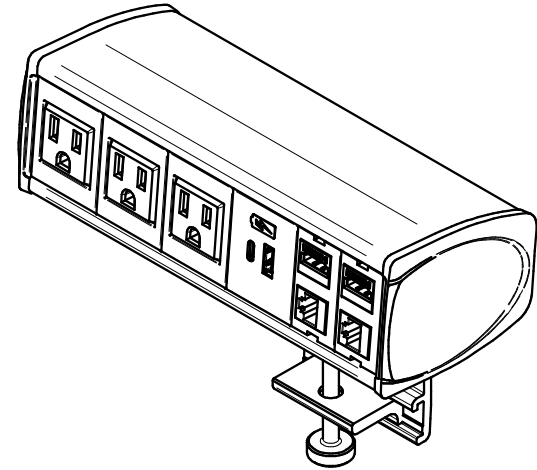
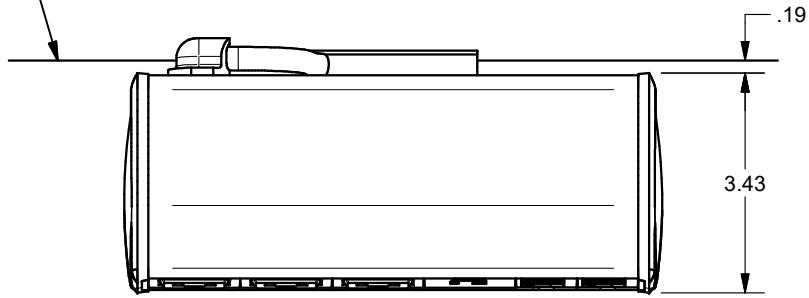
4

3

2

1

TABLE EDGE

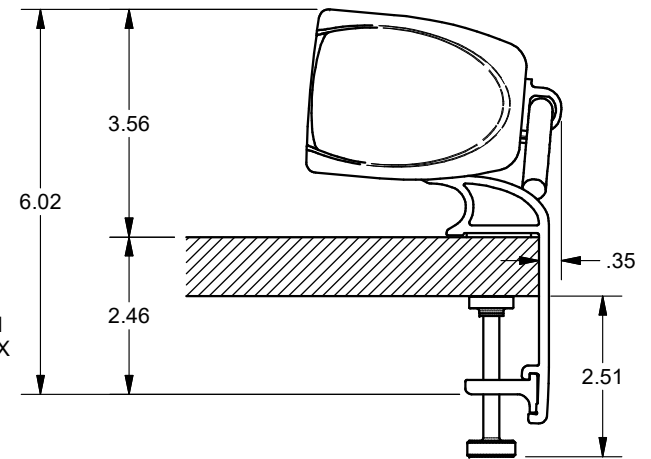
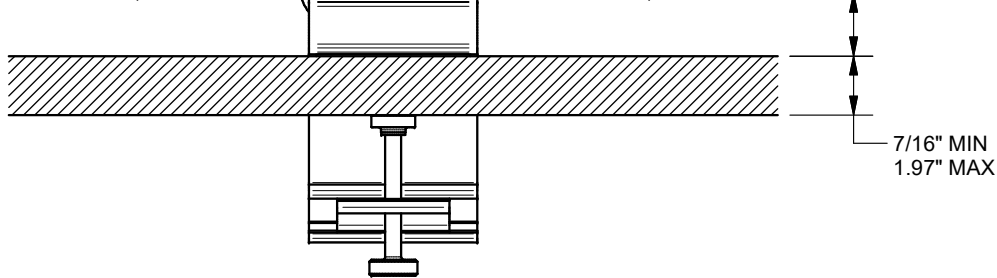
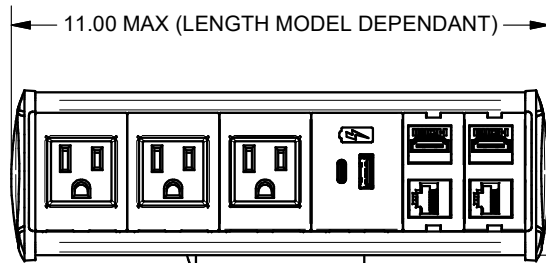


C

C

B

B



A

A

AUDIO, VIDEO, KEYSTONE CONNECTORS AND CABLES SOLD SEPARATELY.

UNIT PROVIDED WITH KEYSTONE SINGLE, DUAL AND BLANK INSERT.

**FSR inc.**  
 244 BERGEN BLVD.  
 WOODLAND PARK, NJ 07424  
 TEL (973) 785-4347  
 FAX (973) 785-3318

TITLE: SYM-CL		
DRAWN BY: JRE	DATE: 12/01/20	REV: 01
DWG#: SYM-CL	PAGE: 1 OF 2	SCALE: -

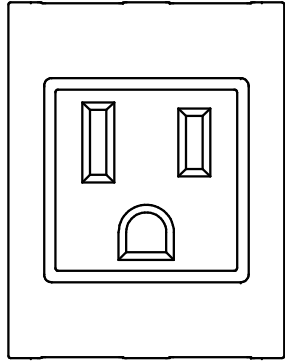
4

3

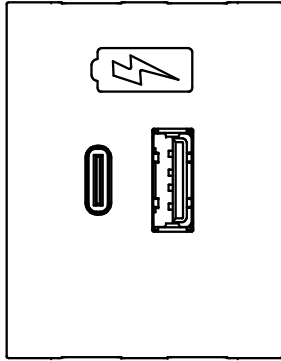
2

1

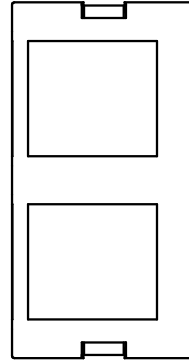
# FOR CALCULATING APPROXIMATE LENGTH OF SYMPHONY ASSEMBLY



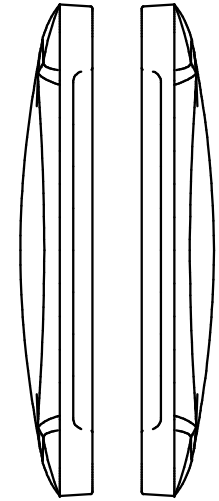
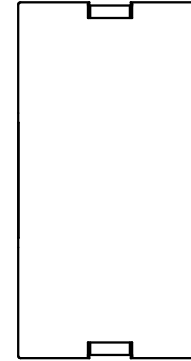
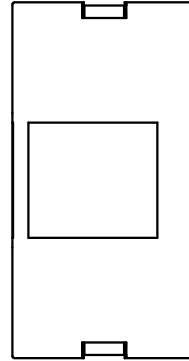
"AC" INSERTS  
ADD 1.5" FOR EACH  
AC INSERT  
MINIMUM: 2  
MAXIMUM: 5



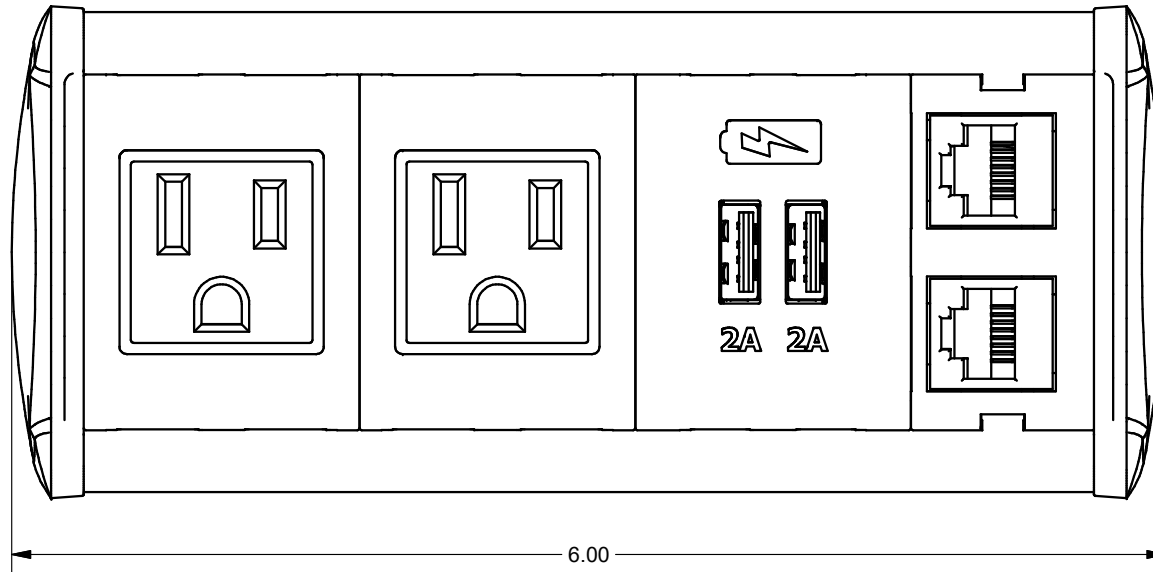
"CA" OR "CC" INSERTS  
("CC" SHOWN)  
ADD 1.5" FOR EACH  
DUAL USB INSERT  
MINIMUM: 0  
MAXIMUM: 2



"SS" INSERT KIT  
ADD 1" FOR A SINGLE,  
DUAL OR BLANK INSERT  
MINIMUM: 0



END CAPS  
ADD 0.5" FOR  
THE TWO CAPS



TYPICAL CONFIGURATION  
("CA" INSERT SHOWN)

**FSR inc.**  
244 BERGEN BLVD.  
WOODLAND PARK, NJ 07424  
TEL (973) 785-4347  
FAX (973) 785-3318

TITLE:			SYM-CL		
DRAWN BY: JRE	DATE: 12/01/20	REV: 01			
DWG#: SYM-CL	PAGE: 2 OF 2	SCALE: -			