

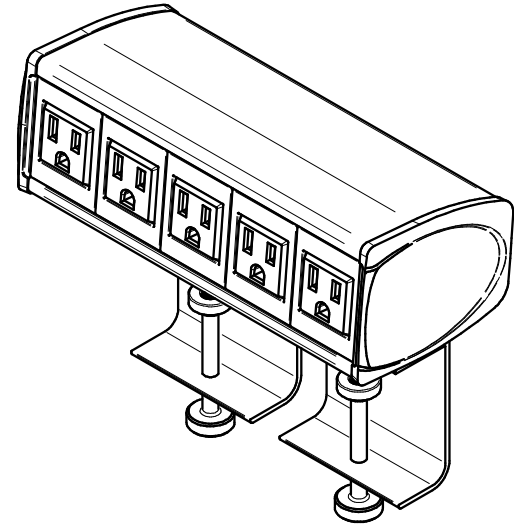
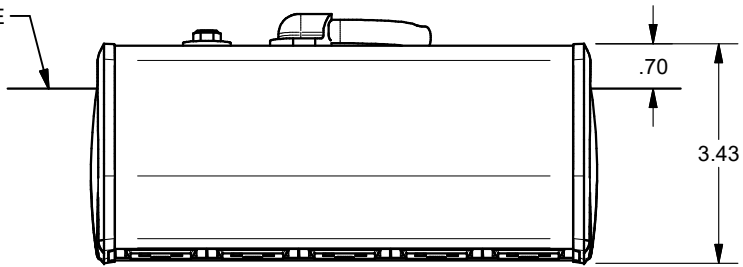
4

3

2

1

TABLE EDGE

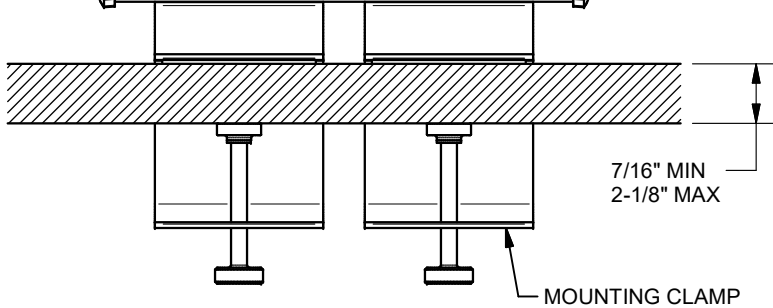
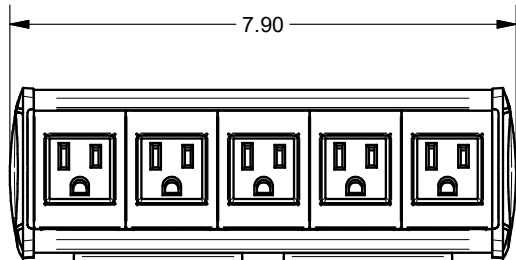


C

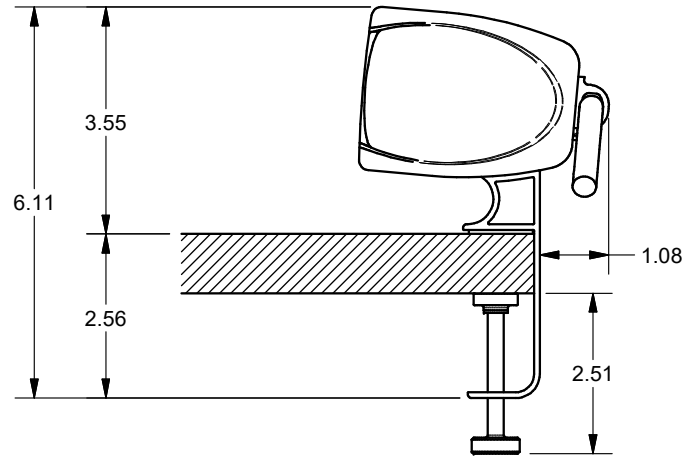
C

B

B



MOUNTING CLAMP



A

A

4

3

2

1

**FSR inc.**  
 244 BERGEN BLVD.  
 WOODLAND PARK, NJ 07424  
 TEL (973) 785-4347  
 FAX (973) 785-3318

TITLE: SYM-CL-5AC		
DRAWN BY: JRE	DATE: 11/21/18	REV: -
DWG#:	SYM-CL-5AC	SCALE: -